

PRINTING Fume Extraction Solutions

PP Base LEF 20

PrintPRO

Fume extraction system and stand
for the **Roland LEF-20 and 200** printer.

BOFA's PrintPRO Base LEF 20 is designed exclusively for Roland DG to remove odours generated during the printing process.

The design allows either the Roland LEF-20/200 printer to sit on top of the extractor as a cart or bench, and specially formed dimples ensure a perfect alignment and secure location. Manufactured to run efficiently and quietly in an office environment, colour matched for good looks, with practical internal storage and adjustable castors for portability, the PrintPRO Base LEF 20 is the perfect companion to the Roland LEF-20/200 Printers.

STANDARD FEATURES:

- Colour matched to the Roland LEF-20/200 printers
- VOC gas sensor (Volatile Organic Compound)
- Auto sensing voltage (115-230v) for global use
- Digital speed control
- Extended life carbon for low cost of ownership
- Specially treated carbon for safe containment of print fumes
- Doubles as cart/bench with locating dimples for security
- Height adjustable castors for portability and stability.
- Extraction hose kit included
- Low noise level
- Internal accessories shelf

TECHNOLOGY:



HEPA filter technology



Advanced Carbon Filter technology



SureCheck Quality Standard

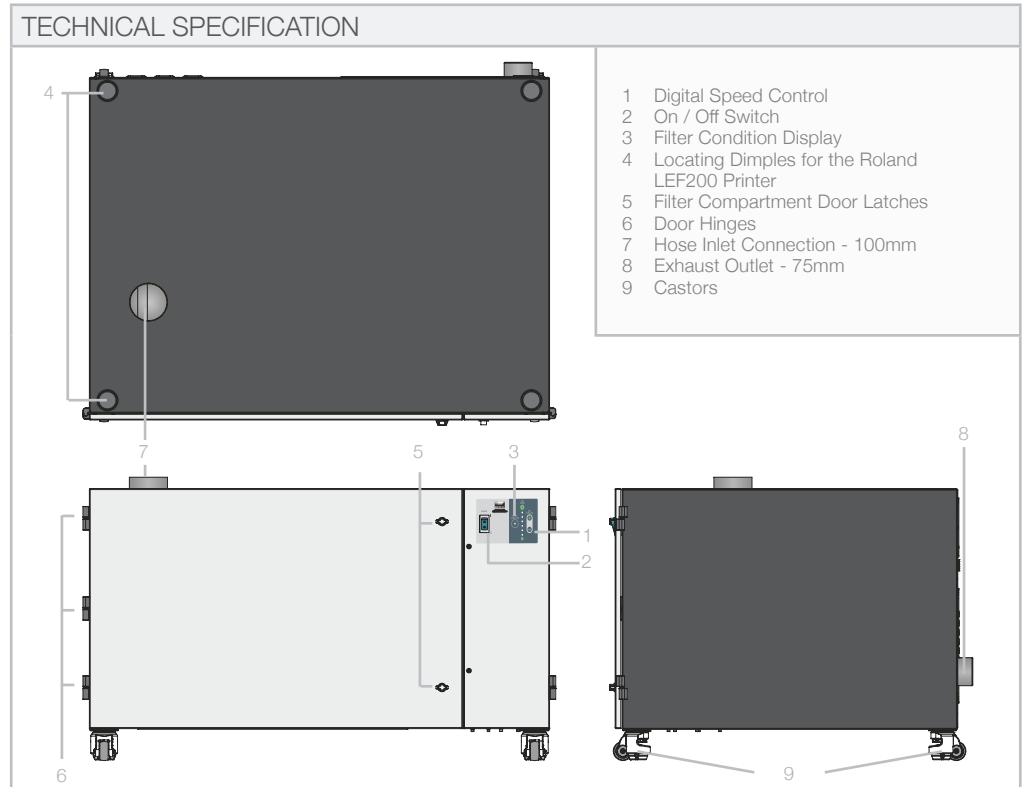
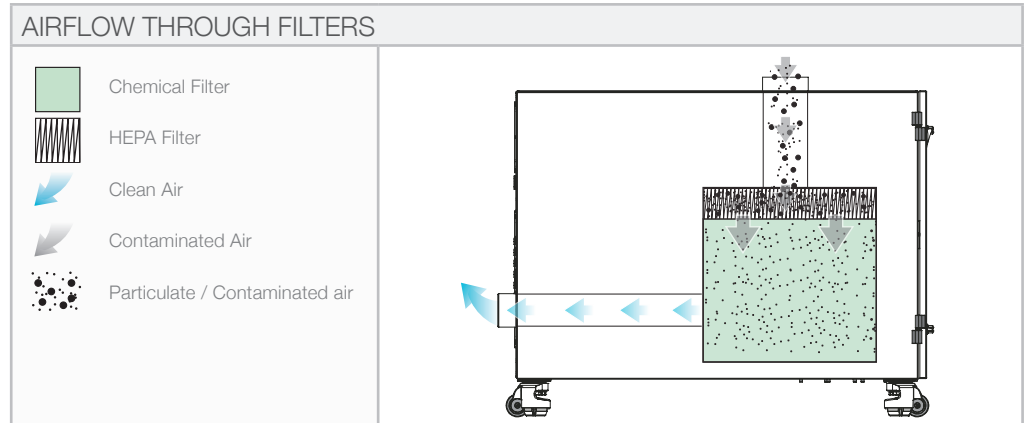
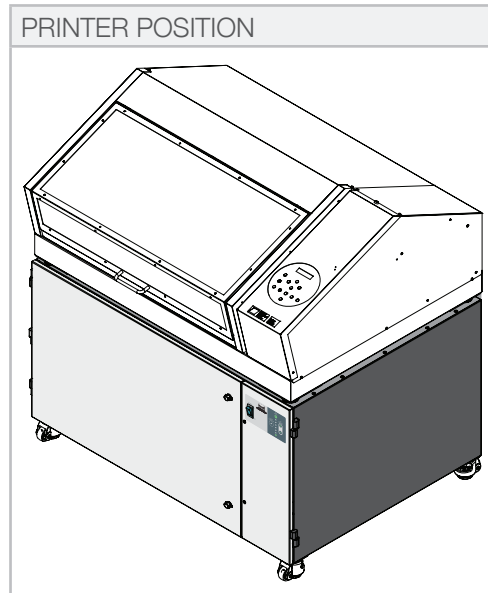


Recommended by Roland DG as the choice of extraction with the LEF Series printers.

UNIT PART NUMBERS		FILTER PART NUMBERS
Model	Part No.	HEPA/Gas Filter Part No.
PrintPRO Base LEF 20 Powder Coated	8107021064-1258	A1030158

TECHNICAL DATA		
	EU	US
Dimensions (HxWxD)	760 x 1250 x 980mm	29.9 x 49.2 x 38.6"
Cabinet Construction	Powder coated mild steel	Powder coated mild steel
Airflow / Pressure	350m ³ /hr / 36mbar	206cfm / 36mbar
Electrical Data	115v - 230v 1ph 50/60Hz Full load current: 12.5 amps / 1.1kw	
Noise Level	< 60dBA (at typical operating speed)	
Weight	135kgs	297lbs
Approvals	CE	UL

GAS/HEPA FILTER SPECIFICATIONS	
Surface Media Area	3.45m ² approx
HEPA Filter Media	Glass Fibre
HEPA Media Construction	Maxi Pleat Construction with Webbing Spacers
Filter Efficiency	99.997% @ 0.3 microns
Treated Activated Carbon	17kgs
Filter Housing	Zintec Mild Steel



Other hose kits and filters are available. All of the above units are fitted with our standard filter combinations. For specific applications please call us for details. Replacement filters should always be ordered using the part number on the filters inside your extractor to ensure the correct filter is ordered. Datasheet correct at time of print.

Roland are registered in the U.S. Patent and Trademark Office.

Roland-PrintPRO-Base-LEF20:29/3/17V:1.8



BOFA INTERNATIONAL LTD

Tel: +44 (0) 1202 699 444 Fax: +44 (0) 1202 699 446 Email: sales@bofa.co.uk Web: www.bofa.co.uk

BOFA AMERICAS, INC

Tel: (618) 205 5007 Fax: (866) 707 2632 Email: sales@bofaamericas.com Web: www.bofaamericas.com



British Quality

